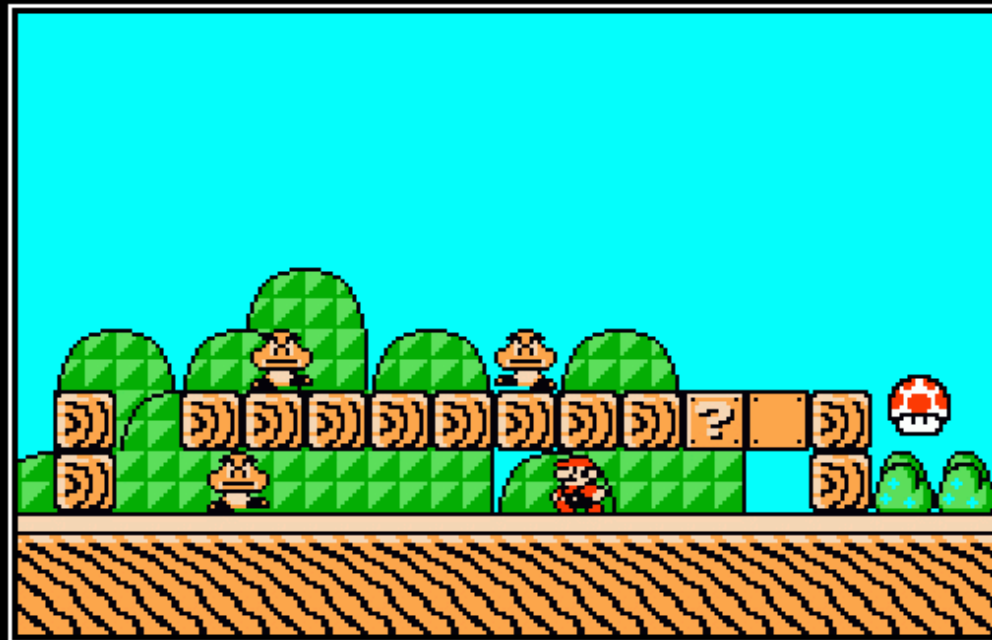


Planning (Ch. 10)



PLANNING

Somehow, I don't think you thought your cunning plan all the way through.

Announcements

Writing 3 graded, 2 weeks to resubmit

Midterm 2 graded

Mutexes: actions

You do it!

Initial: $\neg Money \wedge \neg Smart \wedge \neg Debt$

Goal: $\neg Money \wedge Smart \wedge \neg Debt$

Action(*School*,

Precondition: ,

Effect: $Debt \wedge Smart$)

Action(*Job*,

Precondition: ,

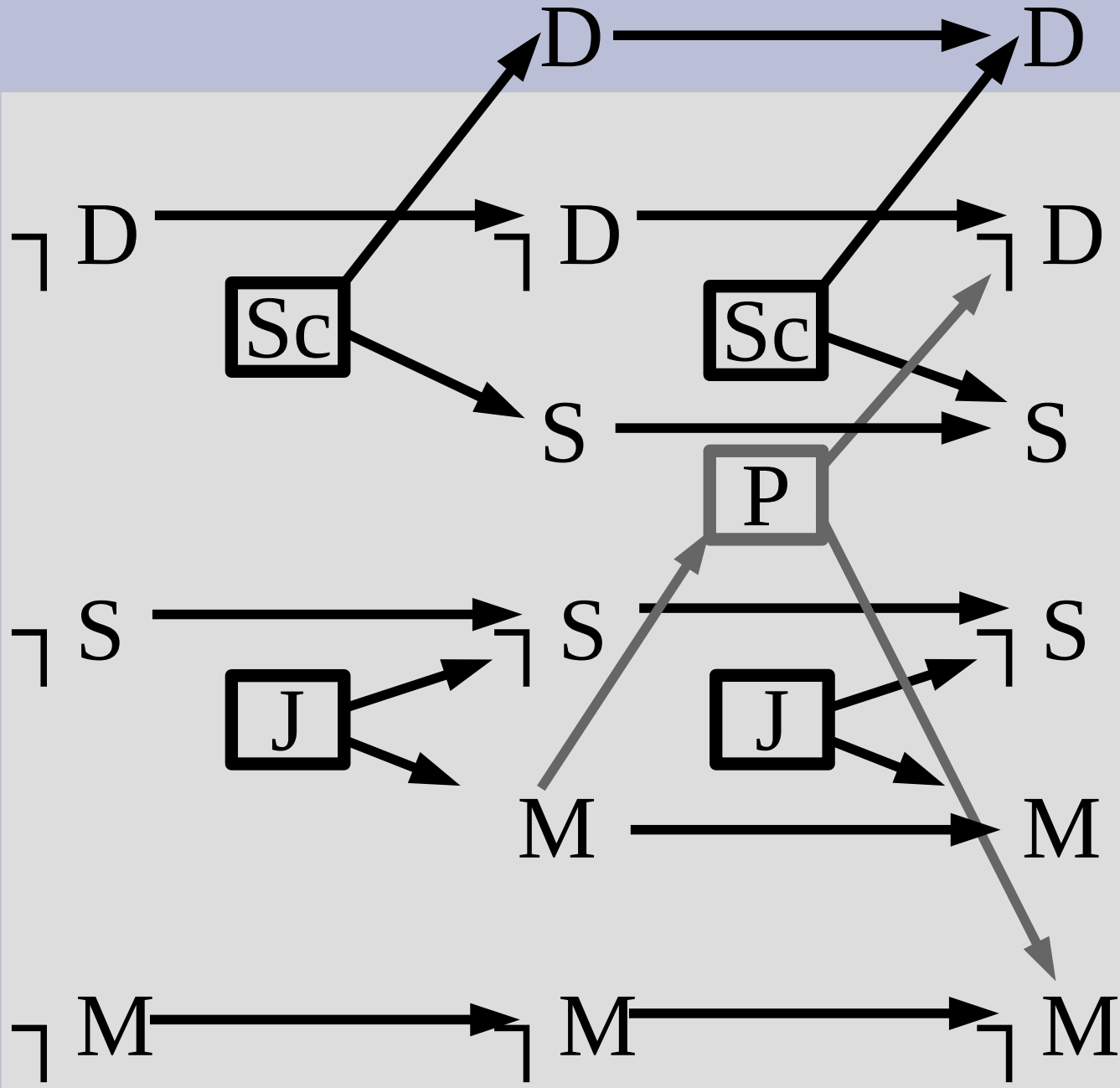
Effect: $Money \wedge \neg Smart$)

Action(*Pay*,

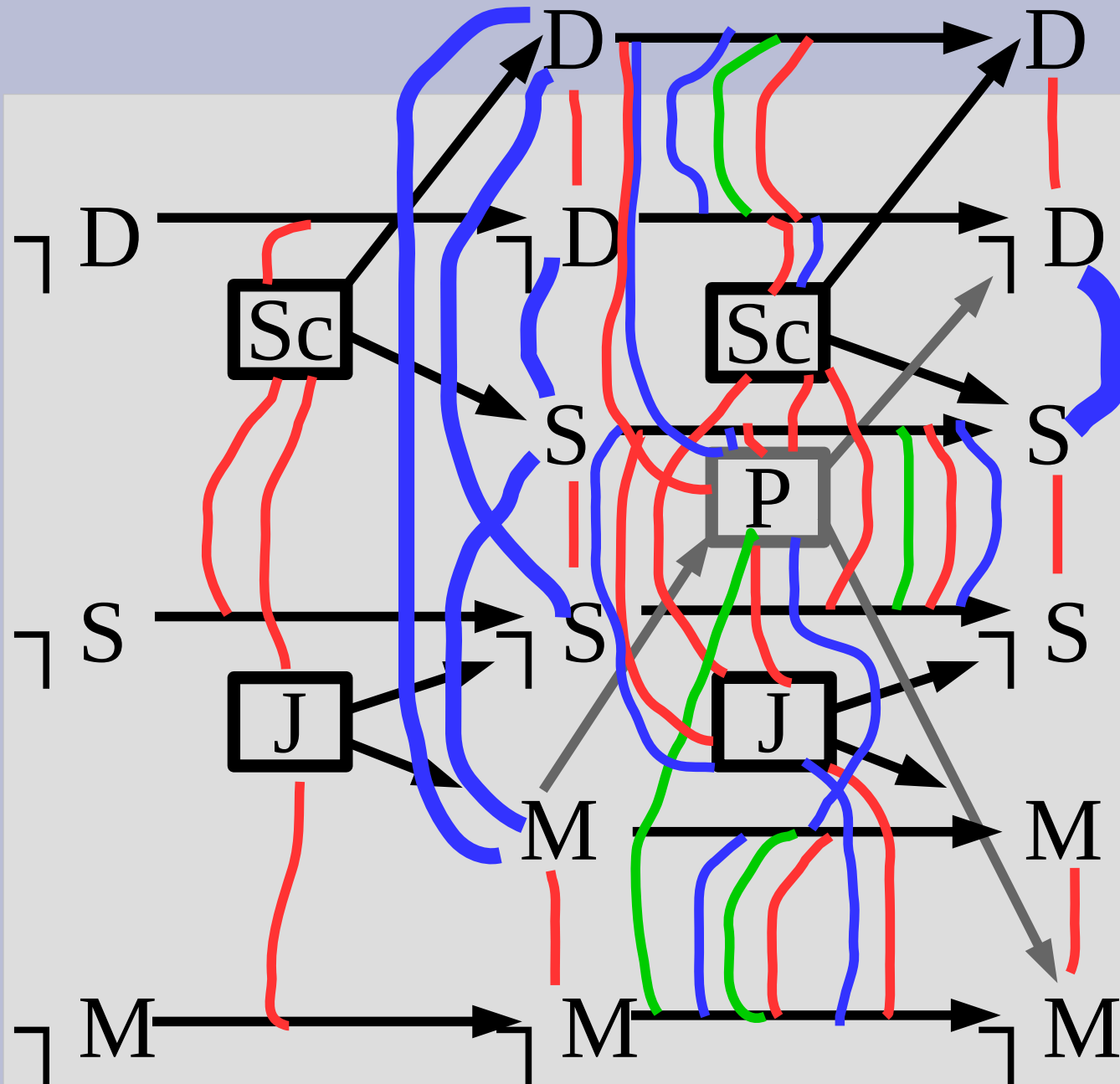
Precondition: *Money*,

Effect: $\neg Money \wedge \neg Debt$)

Mutexes: actions



Mutexes: actions



Non-trivial
mutexes:
 (SC, P),
 (J, P),
 (SC, J),
 (P, \neg D&M),
 (SC, \neg D& \neg S),
 (J, \neg M&S)

GraphPlan

GraphPlan can be computed in $O(n(a+1)^2)$,
where n = levels before convergence
 a = number of actions
 l = number of relations/literals/states
(square is due to needing to check all pairs)

The original planning problem is PSPACE,
which is known to be harder than NP

GraphPlan: states

Let's consider this problem:

Initial: $Clean \wedge Garbage \wedge Quiet$

Goal: $Food \wedge \neg Garbage \wedge Present$

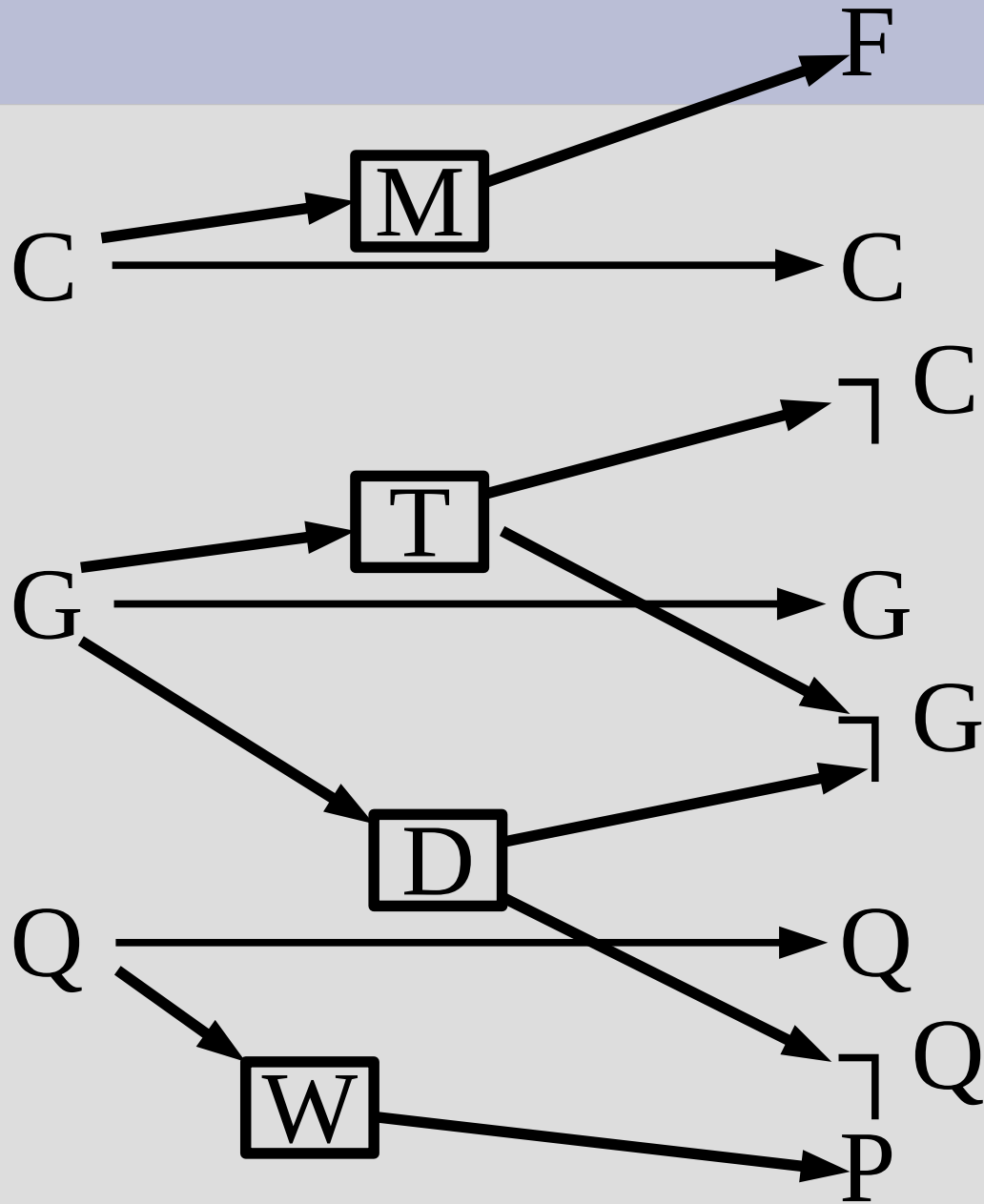
Action: (*MakeFood*,
Precondition: *Clean*,
Effects: *Food*)

Action: (*Takeout*,
Precondition: *Garbage*,
Effects: $\neg Garbage \wedge \neg Clean$)

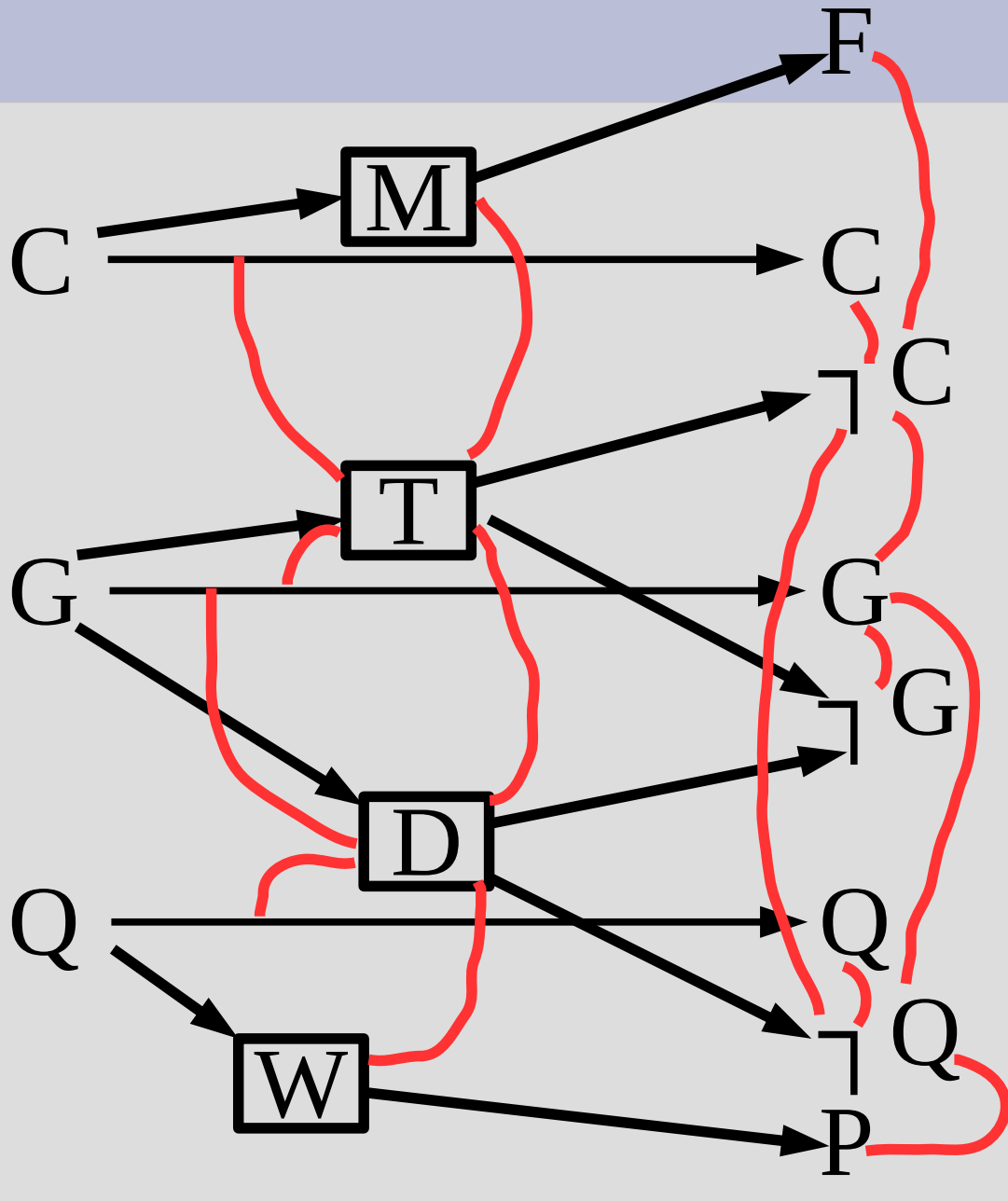
Action: (*Wrap*,
Precondition: *Quiet*,
Effects: *Present*)

Action: (*Dolly*,
Precondition: *Garbage*,
Effects: $\neg Garbage \wedge \neg Quiet$)

GraphPlan: states



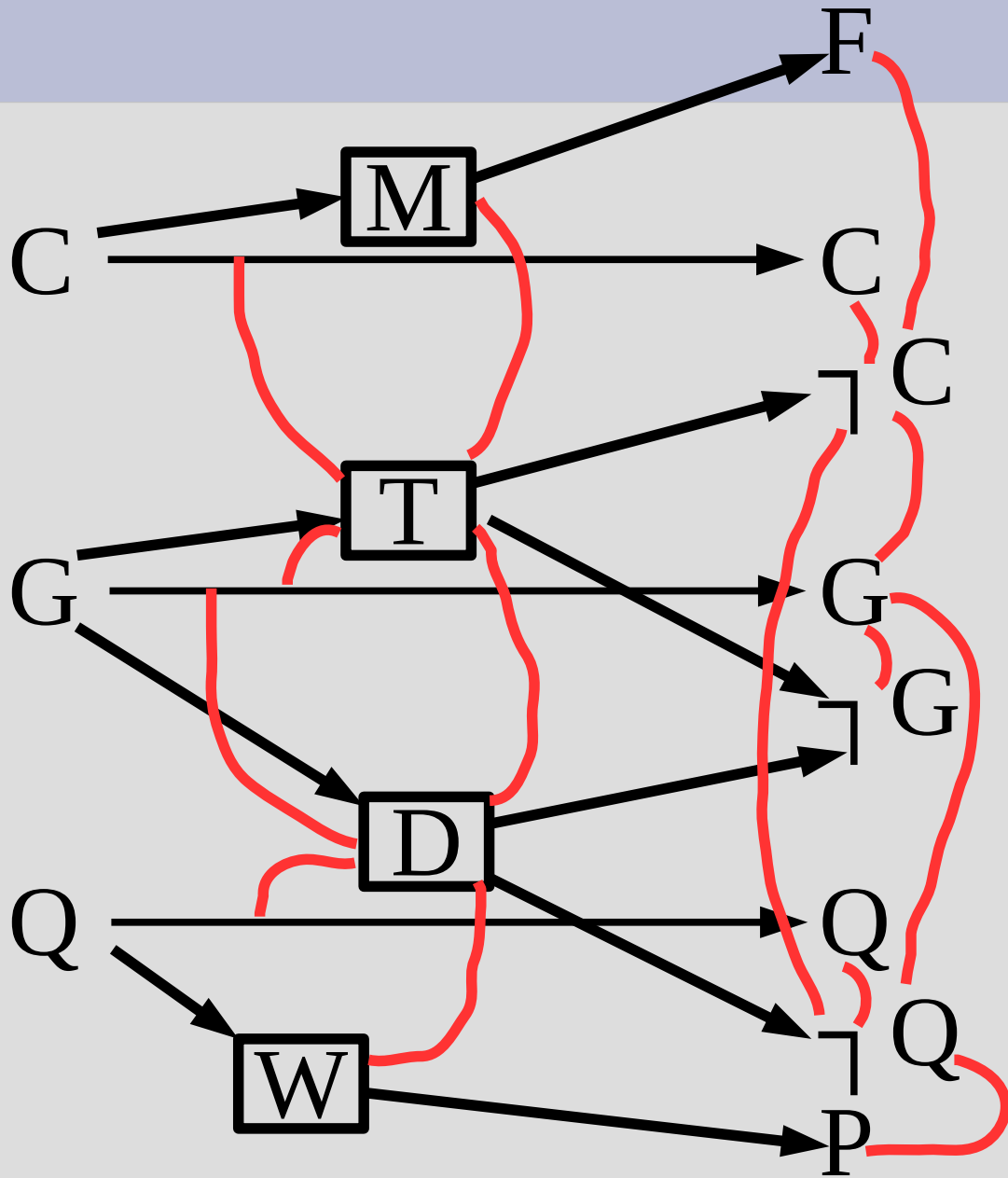
Mutexes



Possible state pairs:

F, C	C, Q
F, ¬C	C, ¬Q
F, G	C, P
F, ¬G	¬C, G
F, Q	¬C, ¬G
F, ¬Q	¬C, Q
F, P	¬C, ¬Q
C, ¬C	¬C, P
C, G	... (more)
C, ¬G	

Mutexes

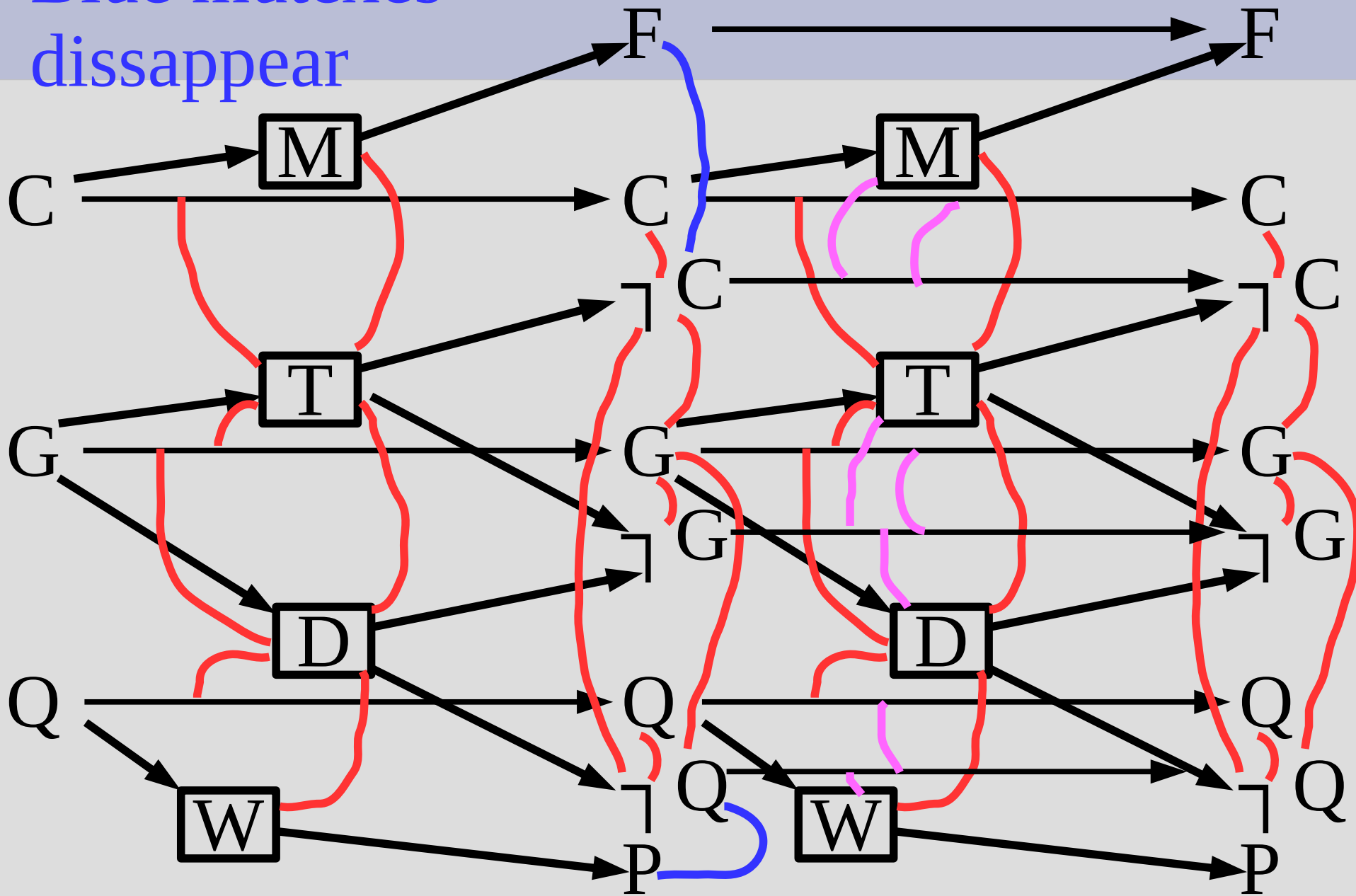


Make
one
more
level
here!

Blue mutexes
dissappear

Mutexes

Pink = new mutex



GraphPlan as heuristic

GraphPlan is optimistic, so if any pair of goal states are in mutex, the goal is impossible

3 basic ways to use GraphPlan as heuristic:

- (1) Maximum level of all goals
- (2) Sum of level of all goals (not admissible)
- (3) Level where no pair of goals is in mutex

(1) and (2) do not require any mutexes, but are less accurate (quick 'n' dirty)

GraphPlan as heuristic

For heuristics (1) and (2), we relax as such:

1. Multiple actions per step, so can only take fewer steps to reach same result
2. Never remove any states, so the number of possible states only increases

This is a valid simplification of the problem, but it is often too simplistic directly

GraphPlan as heuristic

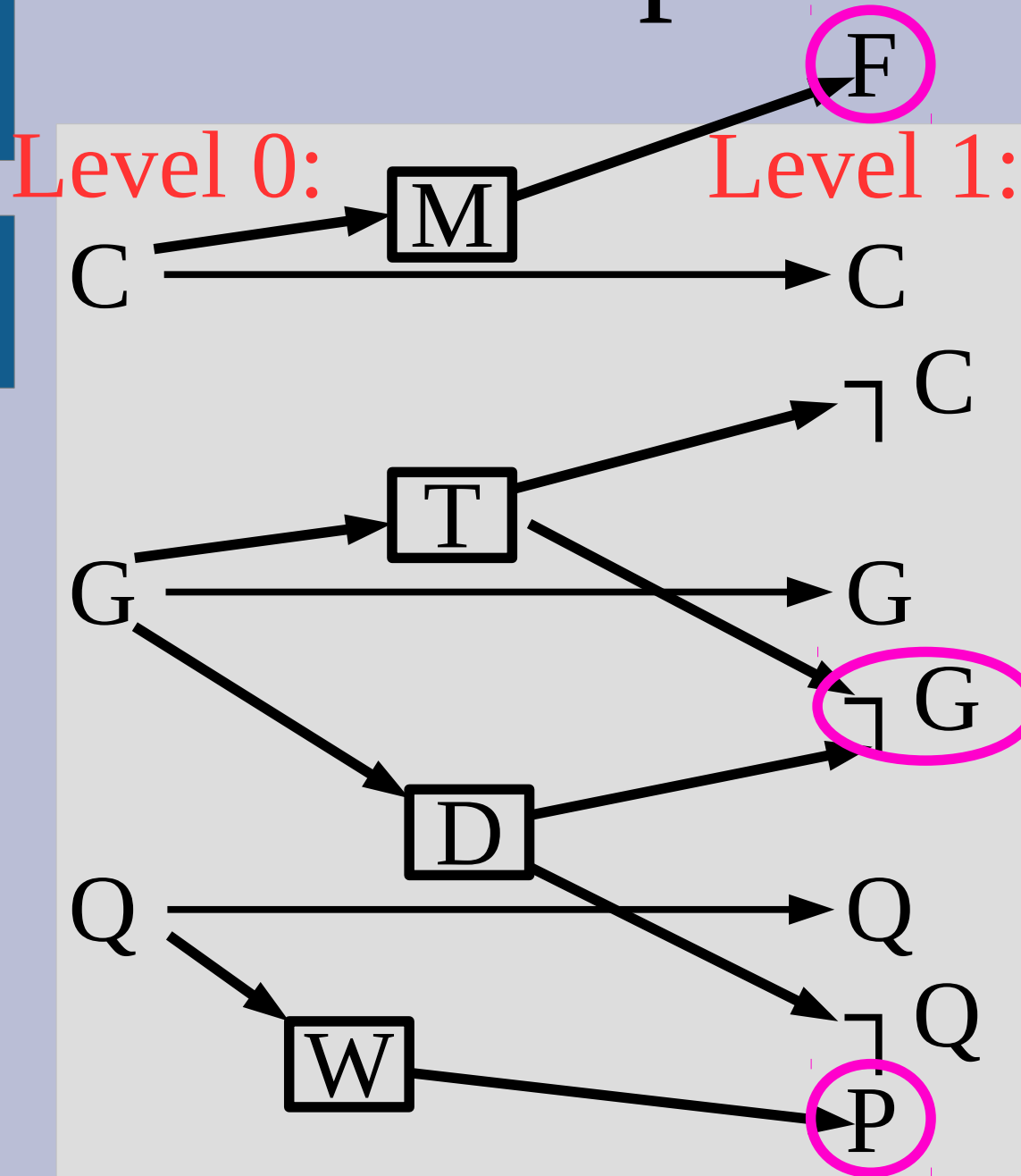
Heuristic (1) directly uses this relaxation and finds the first time when all 3 goals appear at a state level

(2) tries to sum the levels of each individual first appearance, which is not admissible (but works well if they are independent parts)

Our problem: goal={Food, \neg Garbage, Present}

First appearance: F=1, \neg G=1, P=1

GraphPlan: states



Heuristic (1):
 $\text{Max}(1,1,1) = 1$

Heuristic (2):
 $1+1+1=3$

GraphPlan as heuristic

Often the problem is too trivial with just those two simplifications

So we add in mutexes to keep track of invalid pairs of states/actions

This is still a simplification, as only impossible state/action pairs in the original problem are in mutex in the relaxation

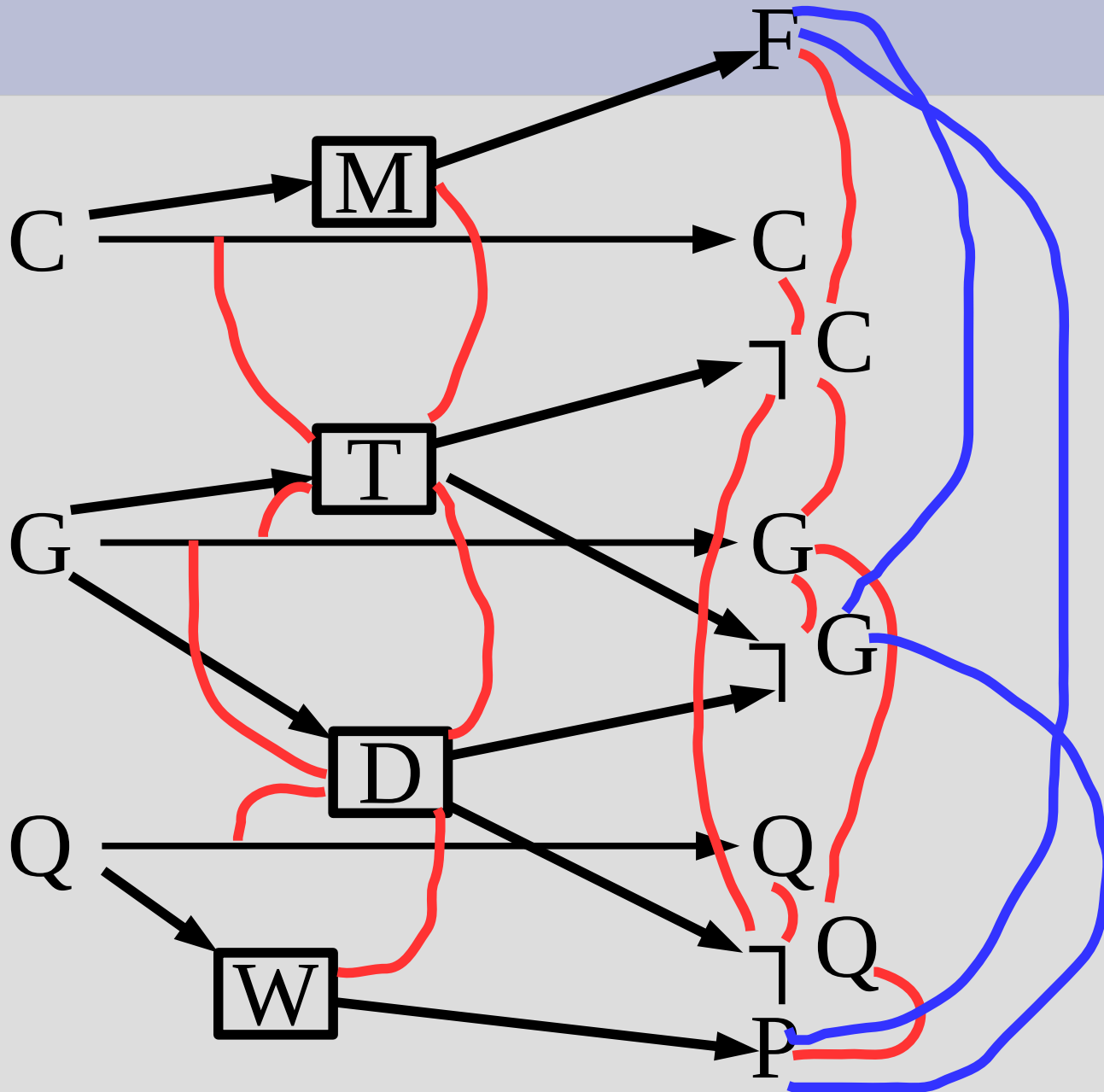
GraphPlan as heuristic

Heuristic (3) looks to find the first time none of the goal pairs are in mutex

For our problem, the goal states are:
(Food, \neg Garbage, Present)

So all pairs that need to have no mutex:
(F, \neg G), (F, P), (\neg G, P)

Mutexes



None of the pairs are in mutex at level 1

This is our heuristic estimate

Finding a solution

GraphPlan can also be used to find a solution:

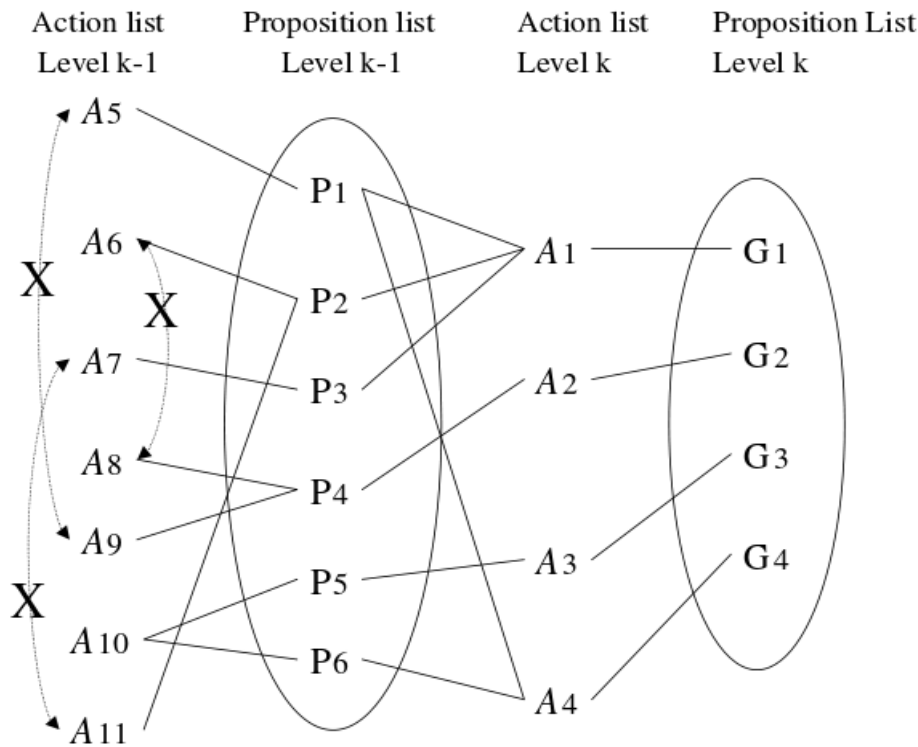
- (1) Converting to a Constraint Sat. Problem
- (2) Backwards search

Both of these ways can be run once GraphPlan has all goal pairs not in mutex (or converges)

Additionally, you might need to extend it out a few more levels further to find a solution (as GraphPlan underestimates)

GraphPlan as CSP

Variables = states, Domains = actions out of
Constraints = mutexes & preconditions



(a) Planning Graph

Variables: $G_1, \dots, G_4, P_1 \dots P_6$

Domains: $G_1: \{A_1\}, G_2: \{A_2\}, G_3: \{A_3\}, G_4: \{A_4\}$
 $P_1: \{A_5\}, P_2: \{A_6, A_{11}\}, P_3: \{A_7\}, P_4: \{A_8, A_9\}$
 $P_5: \{A_{10}\}, P_6: \{A_{10}\}$

Constraints (normal): $P_1 = A_5 \Rightarrow P_4 \neq A_9$
 $P_2 = A_6 \Rightarrow P_4 \neq A_8$
 $P_2 = A_{11} \Rightarrow P_3 \neq A_7$

Constraints (Activity): $G_1 = A_1 \Rightarrow \text{Active}\{P_1, P_2, P_3\}$
 $G_2 = A_2 \Rightarrow \text{Active}\{P_4\}$
 $G_3 = A_3 \Rightarrow \text{Active}\{P_5\}$
 $G_4 = A_4 \Rightarrow \text{Active}\{P_1, P_6\}$

Init State: $\text{Active}\{G_1, G_2, G_3, G_4\}$

(b) DCSP
from Do & Kambhampati

Finding a solution

For backward search, attempt to find arrows back to the initial state (without conflict/mutex)

Start by finding actions that satisfy all goal conditions, then recursively try to satisfy all of the selected actions' preconditions

If this fails to find a solution, mark this level and all the goals not satisfied as: (level, goals)
(level, goals) stops changing, no solution

Graph Plan

Remember this...

Initial: $\neg Money \wedge \neg Smart \wedge \neg Debt$

Goal: $\neg Money \wedge Smart \wedge \neg Debt$

Action(*School*,

Precondition: ,

Effect: $Debt \wedge Smart$)

Action(*Job*,

Precondition: ,

Effect: $Money \wedge \neg Smart$)

Action(*Pay*,

Precondition: *Money*,

Effect: $\neg Money \wedge \neg Debt$)

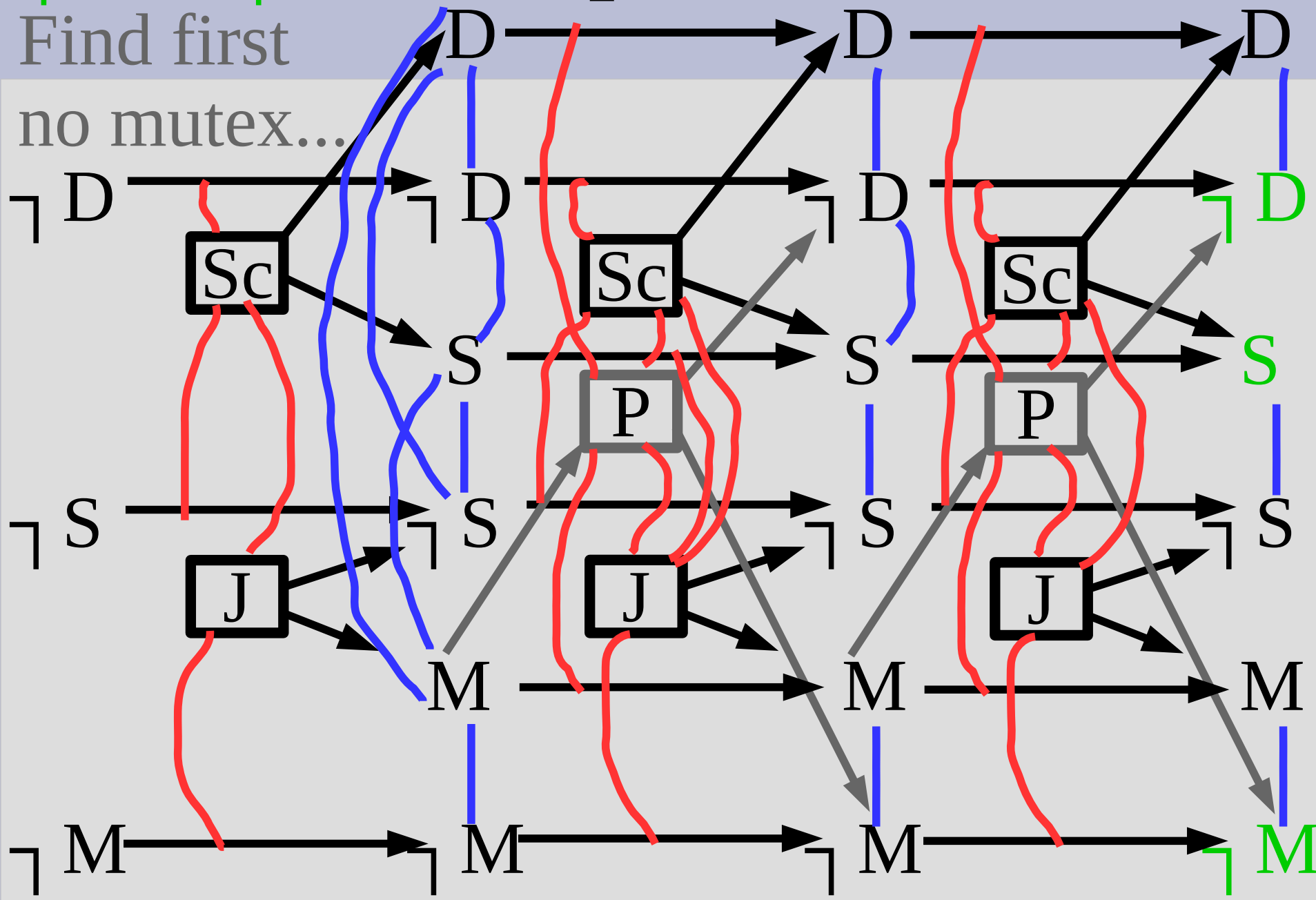
Ask:

$\neg D \wedge S \wedge \neg M$

Find first

no mutex...

Graph Plan



Ask:

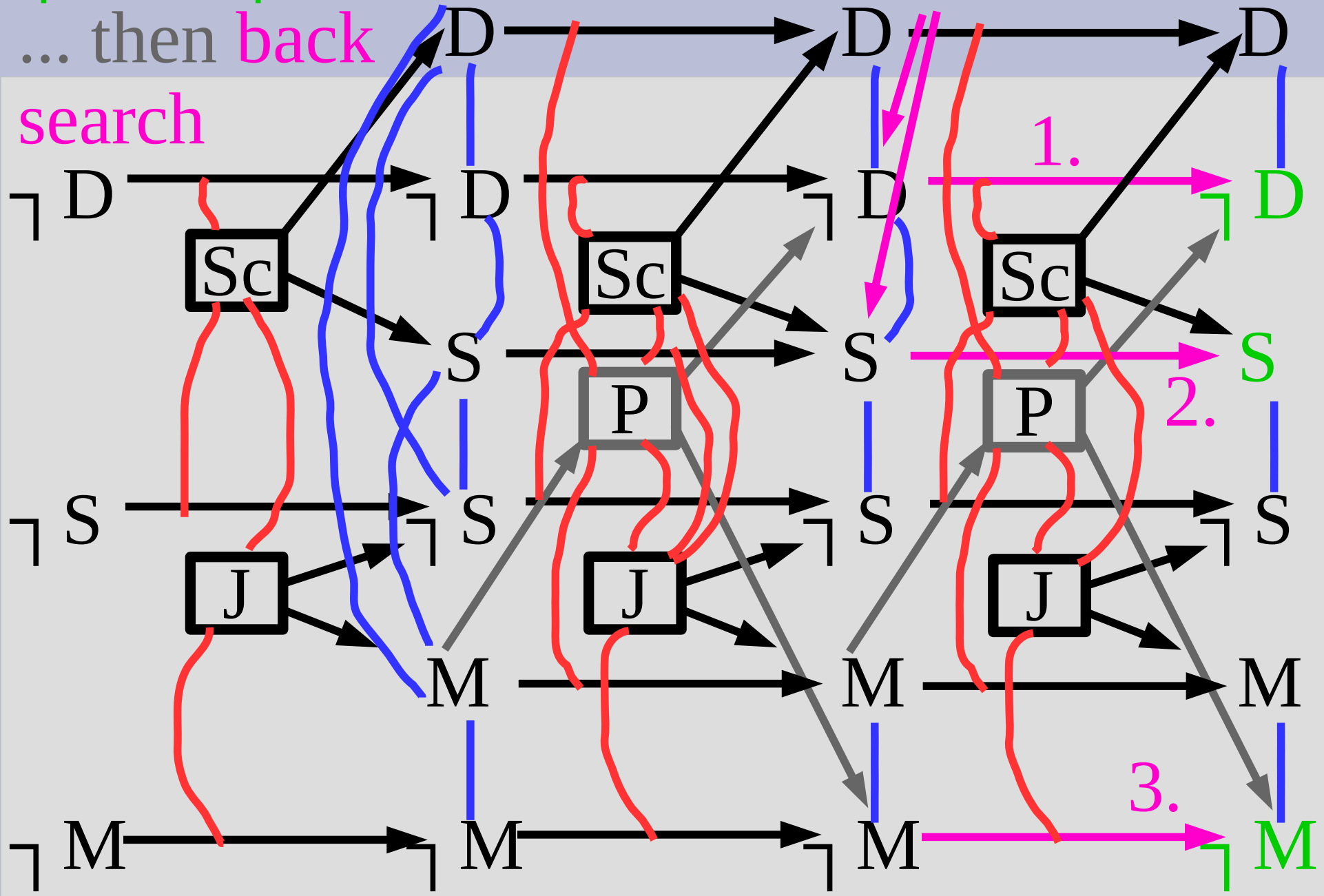
$\neg D \wedge S \wedge \neg M$

... then back

search

Graph Plan

Error! States of 1&4 in mutex



Ask:

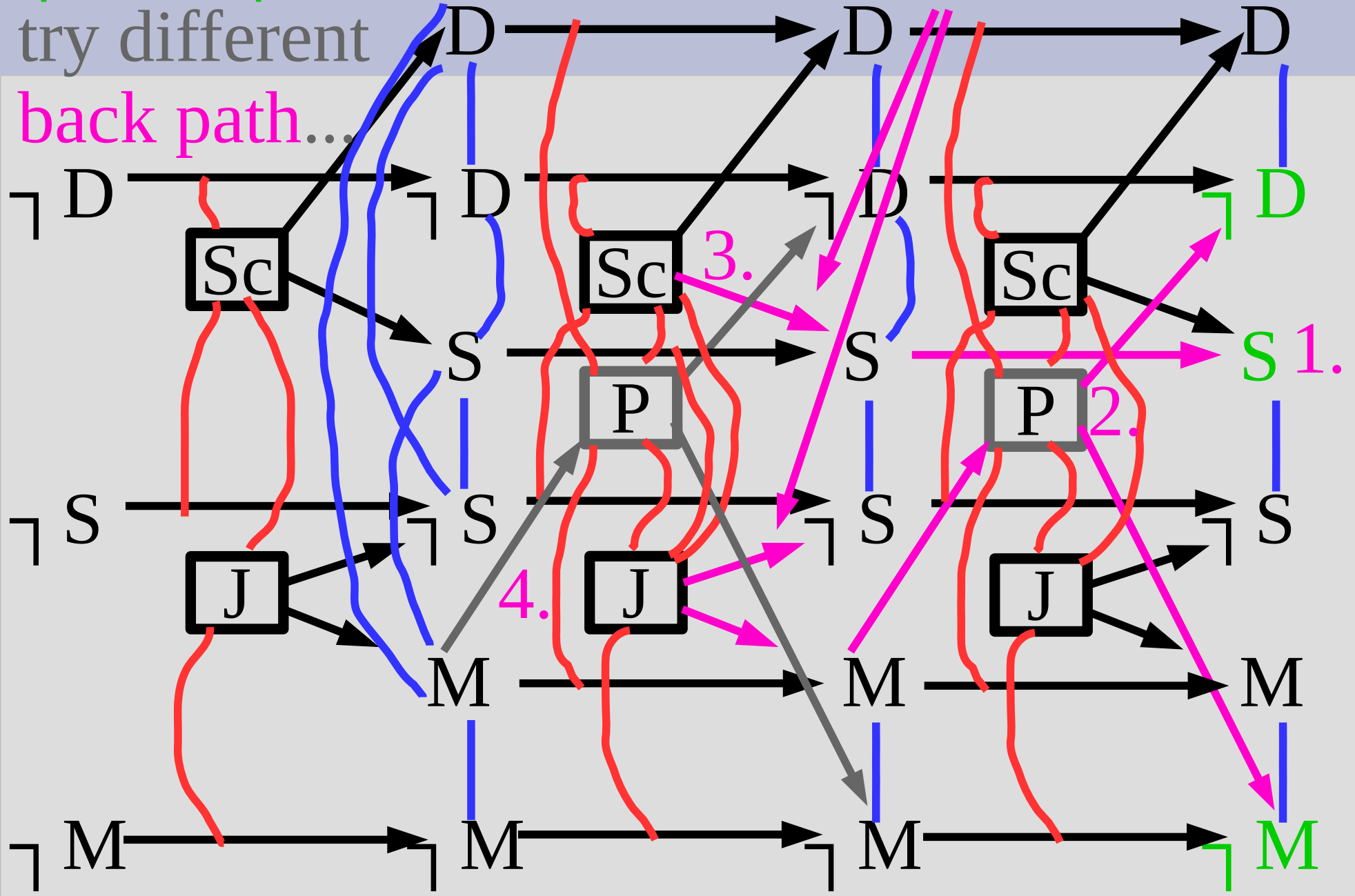
$\neg D \wedge S \wedge \neg M$

try different

back path...

Graph Plan

Error, actions
3&4 in mutex



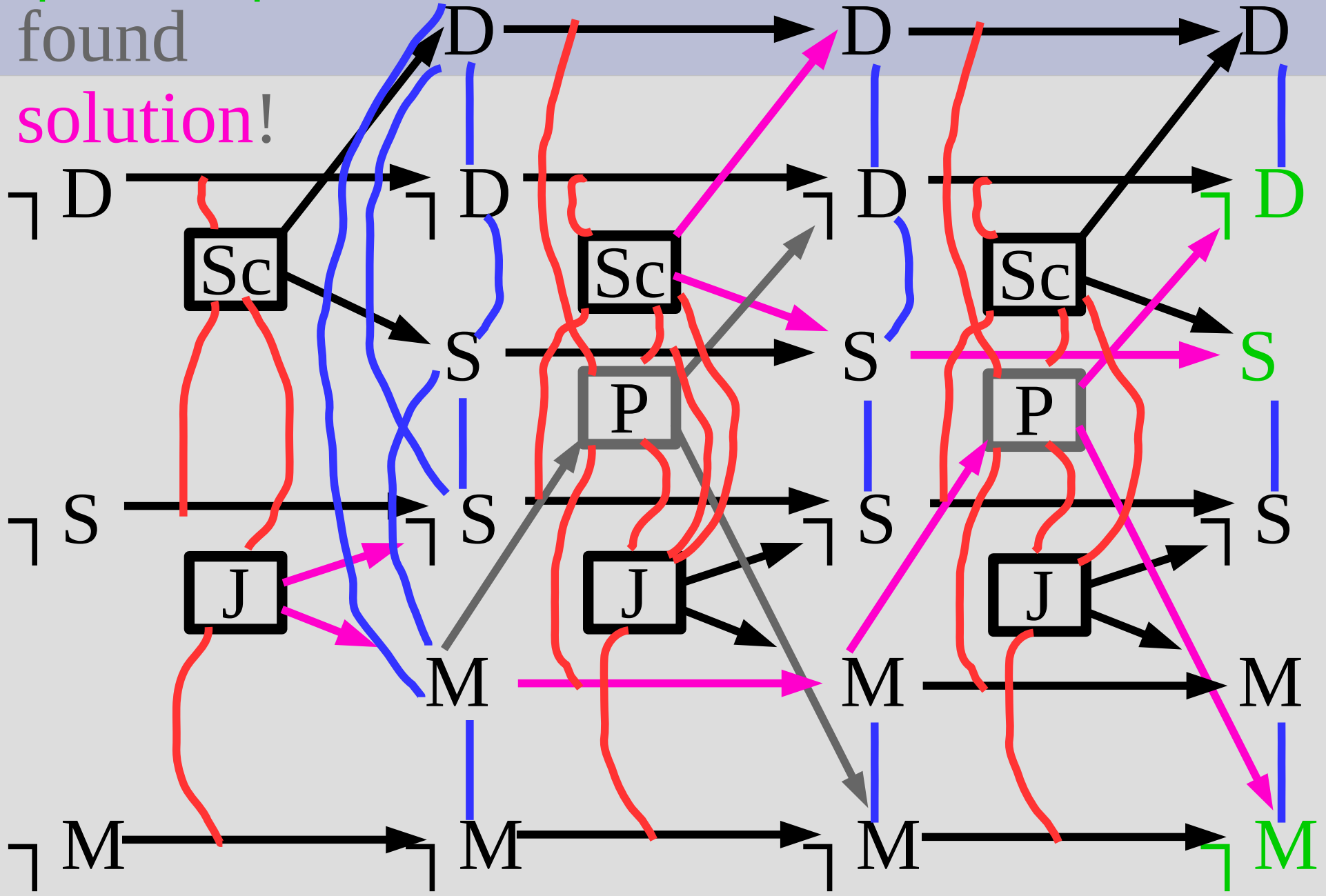
Ask:

$\neg D \wedge S \wedge \neg M$

found

solution!

Graph Plan



Finding a solution

Formally, the algorithm is:

graph = initial

noGoods = empty table (hash)

for level = 0 to infinity

 if all goal pairs not in mutex

 solution = recursive search with noGoods

 if success, return paths

 if graph & noGoods converged, return fail

 graph = expand graph

Initial: $Clean \wedge Garbage \wedge Quiet$

Goal: $Food \wedge \neg Garbage \wedge Present$

You try it!

